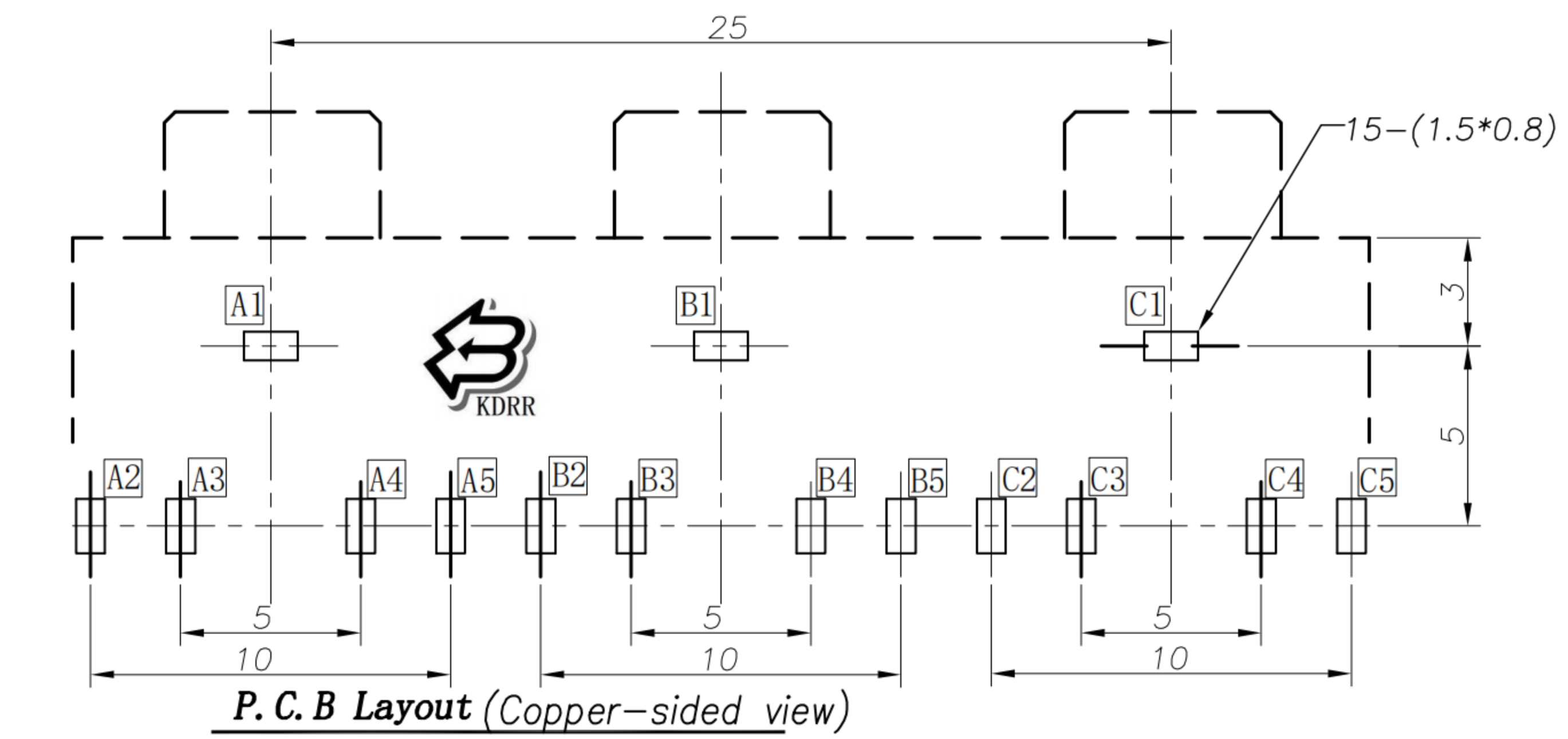


□: TERMINAL NO. ○: ITEM NO.

- Specification:**
1. Rating : DC 30V 0.5A;
 2. Contact resistance: $\leq 50m\Omega$;
After test: $\leq 100m\Omega$
 3. Insulation resistance: $\geq 100M\Omega$ (500VDC);
After test: $\geq 50M\Omega$
 4. Withstand voltage: 500VAC ;
 5. Insertion and extraction force: 3N~30N;
 6. life test: 5000cycles min;
 7. Operation temperature range: -20℃~70℃
 8. Preservative temperature range: -40℃~85℃
 9. Sign"▲" is importance dimension



- Ordering information:
 GD-PIS-3361P
 (1):Series No.
 (2):Schematic option: A B C D
 (3):Material of housing: 66=PA66 (Standard)
 (4):Bushing color:

Bushing Code	A	B	C
Green	0015	Blue	0236
Pink	0132		

- Zero-01
 (5):Terminal plating:
 T=Tin(Sn) plating (Standard)
 (6):Special option:
 00=No special option (Standard)
 01=Without spring
 (7):Packing mode:
 3=Plastic box packing

NO.	DESCRIPTION	QTY	MATERIAL	REMARK
⑦	Spring	3	Stainless steel $\phi 0.4$	Nickel(Ni) plating
⑩	Earth spring	3	Stainless steel 0.2t	
⑨	Bushing	3	PBT	Green,Blue,Pink
⑧	Bushing	3	Copper alloy	Nickel(Ni) plating
⑦	Tip spring	3	Stainless steel t0.25▲	Tin(Sn) plating
⑥	Shut terminal	3	Brass 0.4t	Tin(Sn) plating
⑤	Shut terminal	3	Brass 0.4t	Tin(Sn) plating
④	Ring spring	3	Stainless steel t0.25▲	Tin(Sn) plating
③	Earth terminal	3	Brass 0.5t	Tin(Sn) plating
②	Rear cover	3	PBT	Black
①	Housing	1	PA66+15%GF	Black

ITEM NO.	DESCRIPTION	DRAWN	DATE
5	新增PLUG標號	Jack	052819
4	更新圖面	Jack	052419
3	新增3d上方圖	Jack	101918
2	更新圖面	Jack	092818
1	新增尺寸	Jack	070717

东莞市高迪电子有限公司
Dong Guan KDRR Electronic Switch Jack Co., Ltd.

TOLERANCE UNLESS OTHERWISE STATED:

Up to 5	± 0.2
Above 5 ~ 15	± 0.3
Above 15 ~ 30	± 0.4
Above 30 ~ 50	± 0.5
Angle	$\pm 0.3^\circ$

3RD. ANGEL'S

DRAWN BY: Ming Ming Zou	DATE 6/8/23	MAT'L	TITLE JACK
CHECKED BY: Ning Ning Su	DATE 6/8/23	FINISH	MODLE PHONE JACK
APPROVED BY: Jia Xiang	DATE 6/8/23	SCALE 1:1	DWG NO. GD-PJS-3361P
SHEET NO. 1 of 1		PART NO.	SIZE A4
			VER R5